



## **scribe** *writing tablet*

---

### **general description**

- **scribe** tablet arms can be specified for use with either solara or integra seat modules.
- **scribe** tablet arms have been engineered to perform in the toughest applications and venues. Designed and tested to both BSEN and BIFMA standards the tablet will resist a load of over 100kg applied while the tablet is in the deployed position.
- the tablet surface is moulded from thermo setting polymer in one piece so there are no finishing edges to pull of.
- safety, scribe has an anti-panic feature so that in an emergency situation as the user lifts the tablet and exits the seat the tablet will automatically return to the stowed position leaving the exit clearway un obstructed.
- **scribe** has a 'dampened' return mechanism to ensure it returns to the stowed position in a controlled and safe fall.
- **scribe** can be used in fixed and telescopic applications., on the Integra seat modules
- **scribe** can be easily removed and re fitted where necessary.





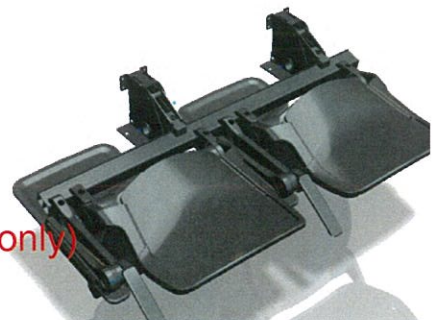
**scribe** pictured with solara polymer seat.

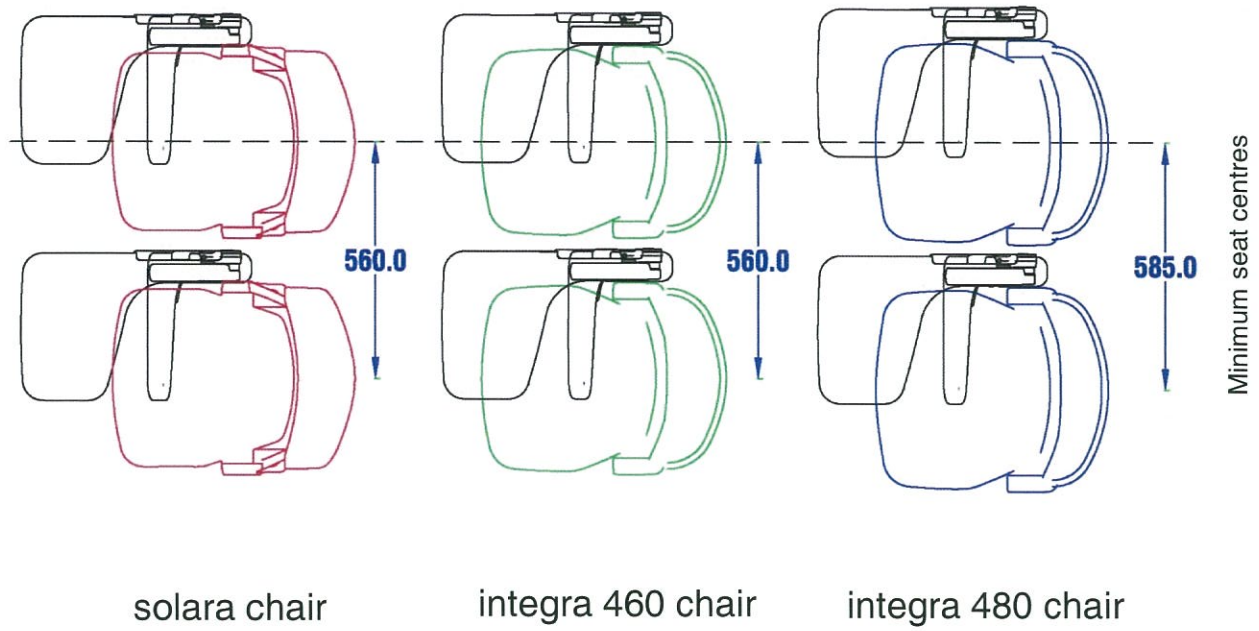
available for use with all **integra** and **solara** seat options.

stowed position  
(fixed application)



stowed position  
(telescopic platform)  
**(Integra Seat Module only)**





## Integra Seat Module Only

